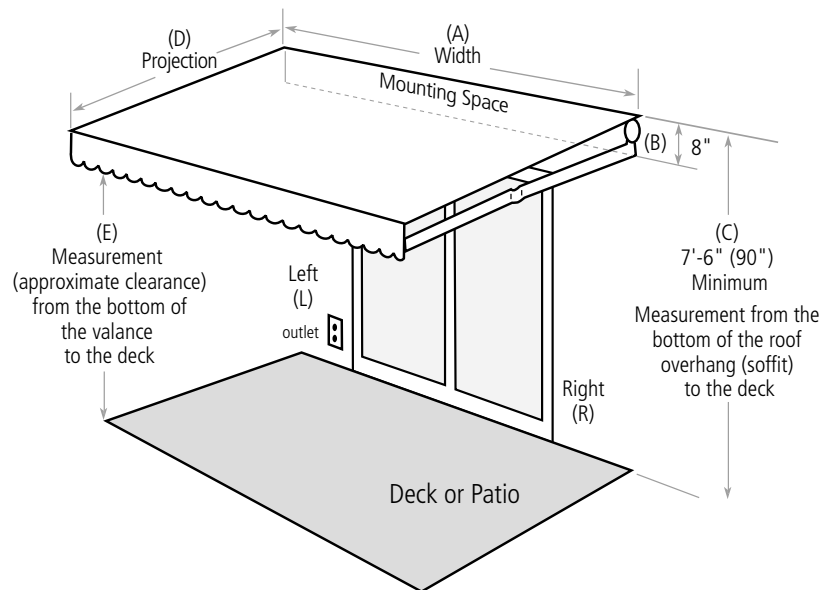


Patio Awning Mounting Height Chart

C= Measurement from top of mounting space to deck	Projection						Recommended Crank Length
	5'9"	6'11"	8'6"	10'2"	11'8"	13'0"	
	E= Measurement from the bottom of the valance to deck						
7'6" (90")	72"	72"	72"	70"	69"	53"	4'
8'	78"	78"	78"	76"	75"	59"	5'
8'6"	84"	84"	84"	82"	81"	65"	6'
9'	90"	90"	90"	88"	87"	71"	6'
9'6"	96"	96"	96"	94"	93"	77"	7'
10'	102"	102"	102"	100"	99"	83"	7'
over 10'							8'

The chart above denotes the approximate clearance with the pitch set in the factory set position



ROOF MOUNT KIT SHOULD BE USED WHEN:

- 1) There is insufficient space to mount the awning (8") or when wall obstructions (ie. downspouts or light fixtures) are in the way.
- 2) More height is desired between the bottom of the awning valance and the deck or patio (E)

To determine the mounting height when a roof mount kit is used: Measure the distance from your deck or patio to the roof line edge or the top of the fascia (F) and add 15". This height will now become the (C) measurement.

Awning cannot be mounted to the fascia.

(see diagram to the right)

